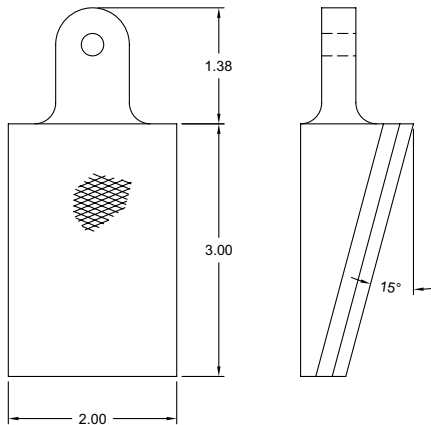
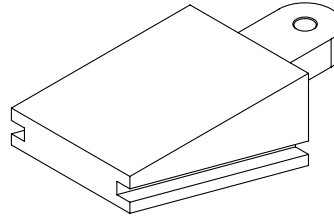


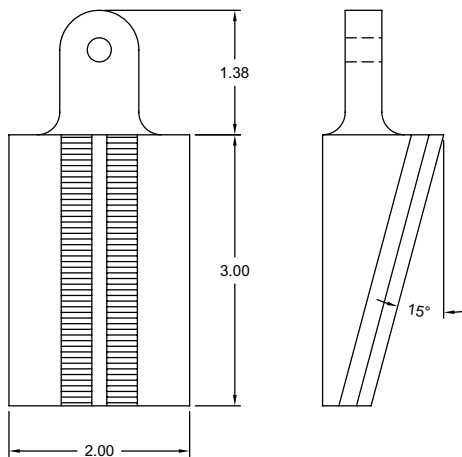
▶ TINIUS OLSEN STYLE: K-GRIPS 2" FLAT JAW FOR 20,000/30,000LB. MACHINE CAPACITY



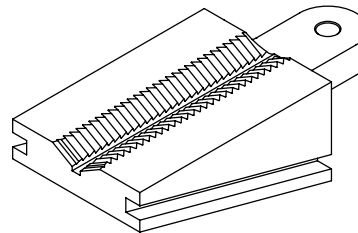
| BASE NO. | DESCRIPTION |
|----------|-------------|
| TOX20FN | 2" FLAT JAW |
| TOX30FN | 2" FLAT JAW |



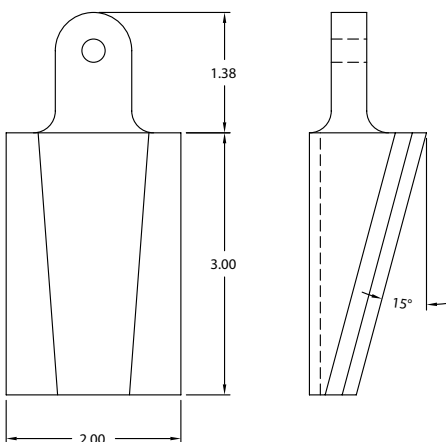
▶ TINIUS OLSEN STYLE: K-GRIPS 2" VEE JAW FOR 20,000/30,000LB. MACHINE CAPACITY



| BASE NO. | DESCRIPTION | WIRE RANGE |
|------------|-------------|------------|
| TOX20VN063 | 2" VEE JAW | .38 - .63" |
| TOX30VN063 | 2" VEE JAW | .38 - .63" |
| TOX20VN075 | 2" VEE JAW | .50 - .75" |
| TOX30VN075 | 2" VEE JAW | .50 - .75" |



▶ TINIUS OLSEN STYLE: INSERT WEDGE GRIP HOLDER FOR 12,000/20,000/30,000LB. MACHINE CAPACITY



| PART NO. | DESCRIPTION |
|----------|---------------|
| TO122XN | INSERT HOLDER |
| TO202HN | INSERT HOLDER |
| TO302HN | INSERT HOLDER |

*SEE PAGE 16 FOR INSERT

