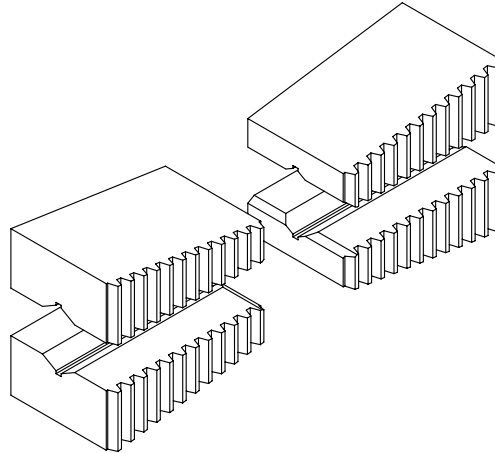
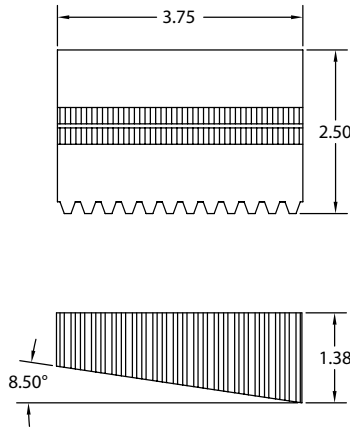


▶ TINIUS OLSEN STYLE: 2.50" VEE JAW WITH FULL RACK FOR 60,000LB. MACHINE CAPACITY

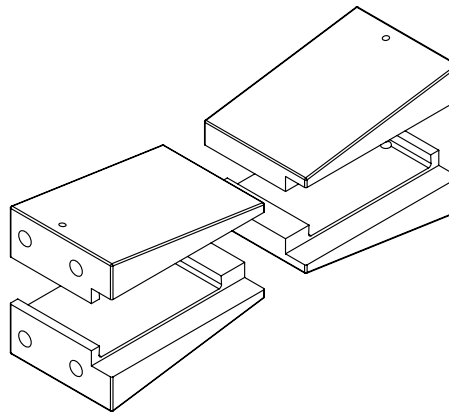
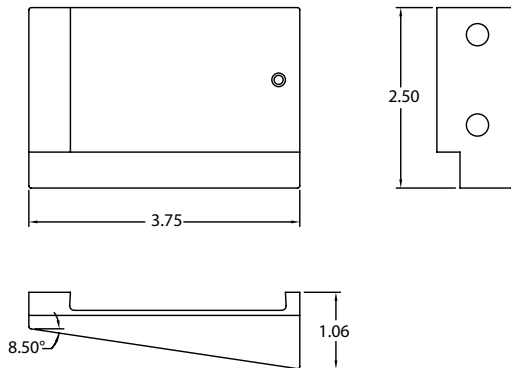
BASE NO.	DESCRIPTION	WIRE RANGE
TOX60VF075	2-1/2" VEE JAW	.43 - .75"
TOX60VF100	2-1/2" VEE JAW	.50 - 1.0"



▶ TINIUS OLSEN STYLE: INSERT HOLDER FOR 60,000LB. MACHINE CAPACITY

PART NO.	DESCRIPTION
TOX60HN	INSERT HOLDER

*SEE PAGE 17 FOR INSERT



▶ TINIUS OLSEN STYLE: INSERT HOLDER WITH FULL RACK FOR 60,000LB. MACHINE CAPACITY

PART NO.	DESCRIPTION
TOX60HF	INSERT HOLDER

*SEE PAGE 17 FOR INSERT

