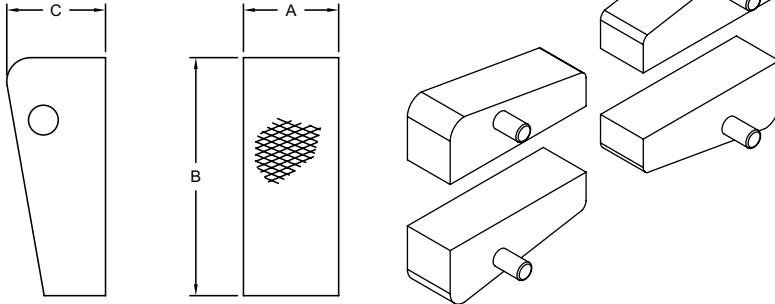
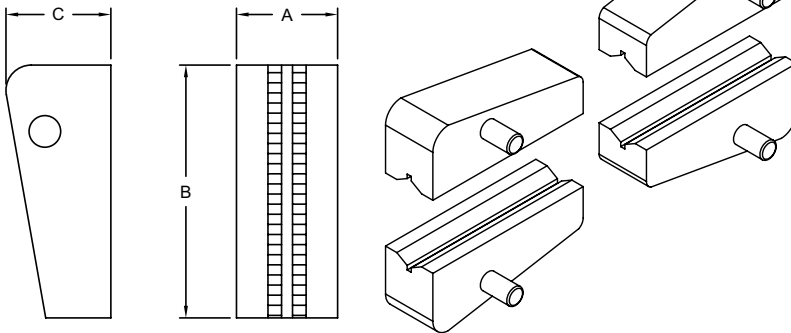


▶ BALDWIN/SATEC-STYLE: FLAT JAWS FOR 3/4", 1" AND 2" MODELS



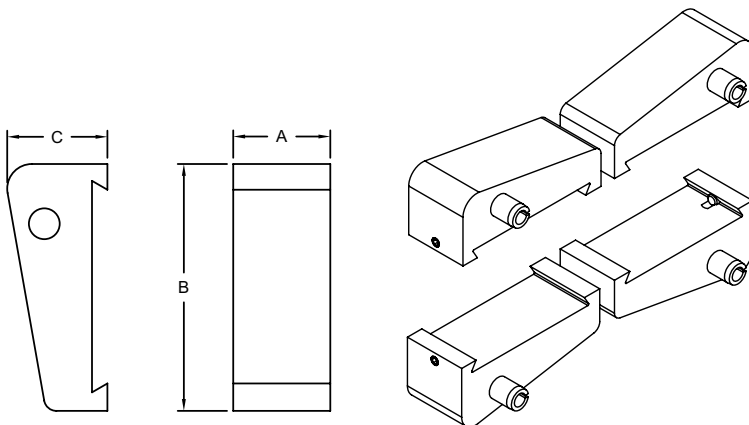
BASE NO.	DESCRIPTION	A	B	C
BSXXX075IFN1	3/4" FLAT JAW	.75	2.38	.91
BSXXX075IFN2	3/4" FLAT JAW	.75	2.50	1.09
BSXXX100IFN1	1" FLAT JAW	1.00	2.50	1.09
BSXXX100IFN2	1" FLAT JAW	1.00	2.50	1.47
BSXXX200IFN1	2" FLAT JAW	2.00	2.50	1.34

▶ BALDWIN/SATEC-STYLE: VEE JAWS FOR 3/4", 1" AND 2" MODELS



BASENO.	DESCRIPTION	A	B	C
BSXXX075IVN1	3/4" VEE JAW	.75	2.38	.95
BSXXX075IVN2	3/4" VEE JAW	.75	2.50	1.09
BSXXX100IVN1	1" VEE JAW	1.00	2.50	1.09
BSXXX100IVN2	1" VEE JAW	1.00	2.50	1.47
BSXXX200IVN1	2" VEE JAW	2.00	2.50	1.34

▶ BALDWIN/SATEC-STYLE: INSERT HOLDERS FOR 3/4", 1" AND 2" MODELS



PART NO.	DESCRIPTION	A	B	C
**BSXXX075IHN1	3/4" INSERT HOLDER	.75	2.38	.95
**BSXXX075IHN2	3/4" INSERT HOLDER	.75	2.75	1.08
**BSXXX100IHN1	1" INSERT HOLDER	1.00	2.50	1.01
**BSXXX100IHN2	1" INSERT HOLDER	1.00	2.50	1.51
**BSXXX200IHN1	2" INSERT HOLDER	2.00	2.50	1.50

*SEE PAGE 23 FOR INSERT

**SAMPLE REQUIRED