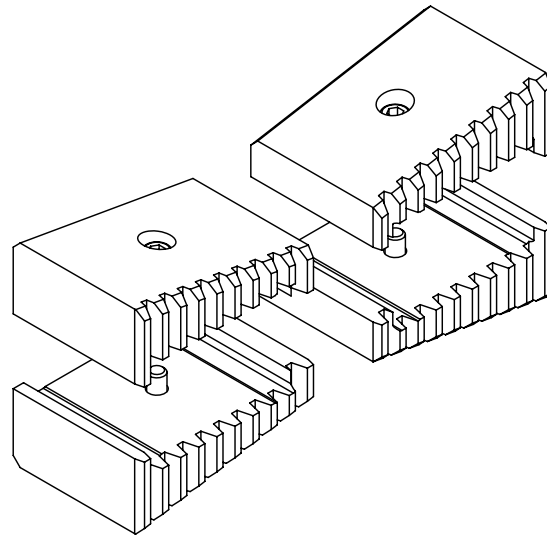
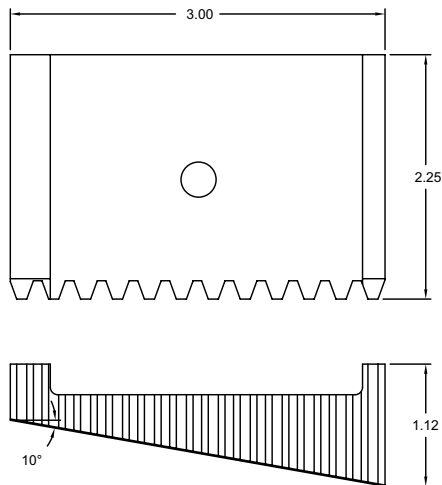


▶ BALDWIN/SATEC-STYLE: INSERT HOLDER FOR 2 ¼" WITH FULL RACK

PART NO.	DESCRIPTION
BSXXX225IHF1	INSERT HOLDER

*SEE PAGE 23 FOR INSERT



▶ BALDWIN/SATEC-STYLE: INSERT HOLDER FOR 2 ¼"

PART NO.	DESCRIPTION
BSXXX225IHN1	HOLDER, FLAT JAWS 2-¼"

*SEE PAGE 23 FOR INSERT

