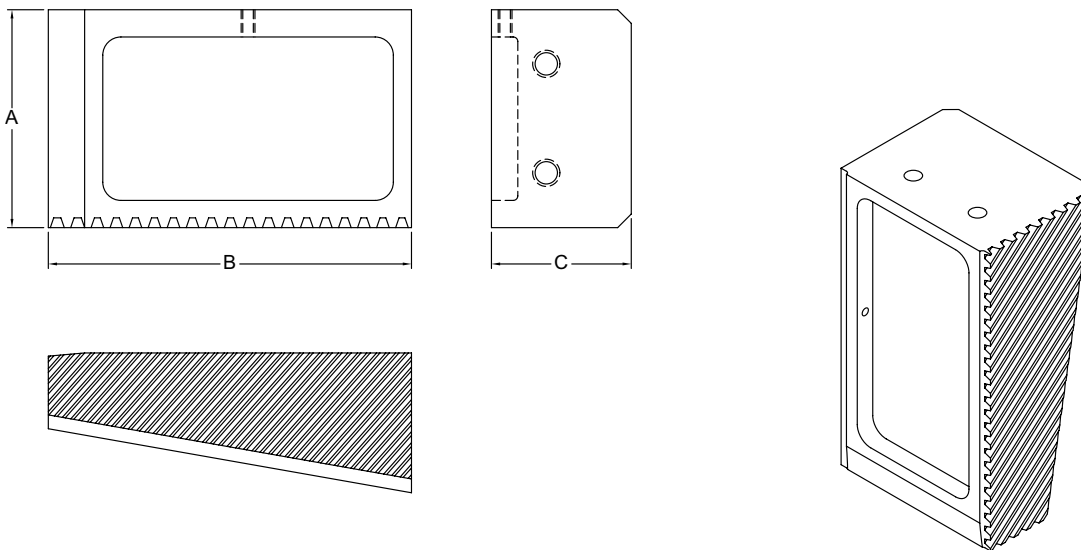


## ▶ BALDWIN/SATEC-STYLE: INSERT HOLDER WITH FULL RACK FOR 20,000 – 600,000 MODELS

BASE NO.	LOAD LBS.	A	B	C
BSX20162IHF1	20,000	1-5/8"	2-1/2"	1"
BSX60238IHF1	60,000	2-3/8"	3-3/4"	1-3/8"
BSX60275IHF1	60,000	2-3/4"	4-3/8"	1-7/16"
BS120300IHF1	120,000	3"	5"	1-15/16"
BS200350IHF1	200,000	3-1/2"	6"	2-7/16"
BS300400IHF1	300,000	4"	6-3/4"	2-7/8"
BS400450IHF1	400,000	4-1/2"	7-3/4"	3-1/4"
BS600700IHF1	600,000	7"	10"	3-3/4"

\*SEE PAGE 23 FOR INSERT



## ▶ BALDWIN/SATEC-STYLE: INSERT HOLDER FOR 2 3/4"-4 1/2" FULL RACK FOR 60,000-400,000 MODELS

BASE NO.	MODEL/LBS.	DESCRIPTION	A	B	C
BSX60275IHF1	60,000	2-3/4" INSERT HOLDER	2.75	4.38	1.75
BS120300IHF1	120,000	3" INSERT HOLDER	3.00	5.0	2.06
BS200350IHF1	200,000	3-1/2" INSERT HOLDER	3.50	6.0	2.62
BS300400IHF1	300,000	4" INSERT HOLDER	4.00	6.75	2.88
BS400450IHF1	400,000	4-1/2" INSERT HOLDER	4.50	7.75	3.38

\*SEE PAGE 23 FOR INSERT

