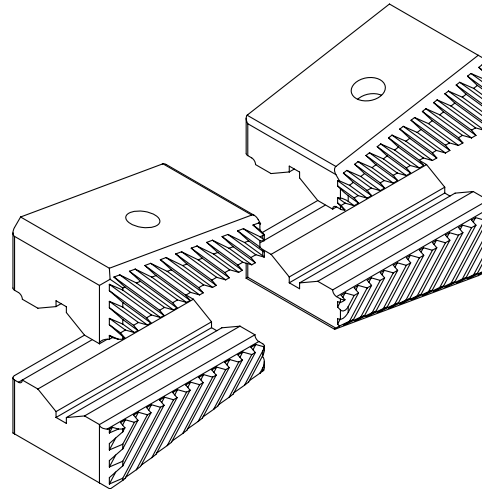
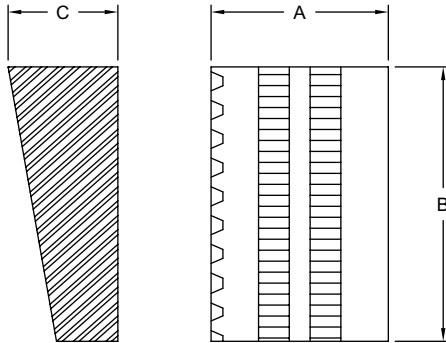


▶ BALDWIN/SATEC-STYLE: VEE JAW FOR 1 5/8"–4 1/2" FULL RACK FOR 20,000–400,000 MODELS

BASE NO.	MODEL/LBS.	DESCRIPTION	A	B	C
BSX20162IVF1	20-35/20,000	1-5/8" VEE JAW	1.62	2.5	1.00
BSX60238IVF1	60-35/60,000	2-3/8" VEE JAW	2.38	3.75	1.25
BSX60275IVF1	60,000	2-3/4" VEE JAW	2.75	4.38	1.50
BS120300IVF1	120,000	3" VEE JAW	3.00	5.0	2.06
BS200350IVF1	200,000	3-1/2" VEE JAW	3.50	6.0	2.62
BS300400IVF1	300,000	4" VEE JAW	4.00	6.75	2.88
BS400450IVF1	400,000	4-1/2" VEE JAW	4.50	3.50	



▶ BALDWIN/SATEC-STYLE: FLAT JAW FOR 1 5/8"–4 1/2" FULL RACK FOR 20,000–400,000 MODELS

BASE NO.	MODEL/LBS.	DESCRIPTION	A	B	C
BSX20162IFF1	20-35/20,000	1-5/8" FLAT JAW	1.62	2.50	1.00
BSX60238IFF1	60-35/60,000	2-3/8" FLAT JAW	2.38	3.75	1.25
BSX60275IFF1	60,000	2-3/4" FLAT JAW	2.75	4.38	1.50
BS120300IFF1	120,000	3" FLAT JAW	3.00	5.0	2.06
BS200350IFF1	200,000	3-1/2" FLAT JAW	3.50	6.0	2.62
BS300400IFF1	300,000	4" FLAT JAW	4.00	6.75	2.88
BS400450IFF1	400,000	4-1/2" FLAT JAW	4.50	7.75	3.38

