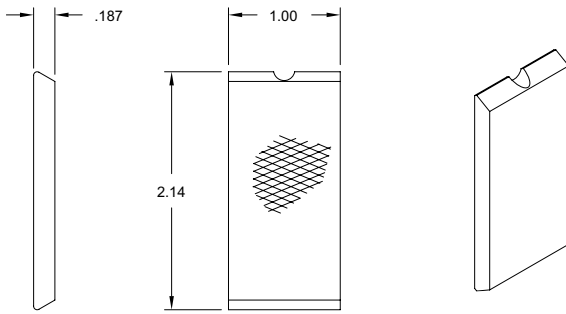


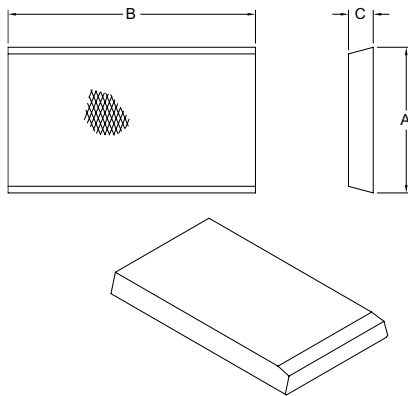
▶ BALDWIN/SATEC-STYLE: FLAT INSERTS FOR 1"



BASE NO.	DESCRIPTION
GRXXX100IIN1	TEMPLIN INSERT

*SEE PAGE 18 FOR HOLDER

▶ BALDWIN/SATEC-STYLE: FLAT INSERTS FOR 2.2", 2.5" AND 3.1" FOR 60,000-400,000 MODELS

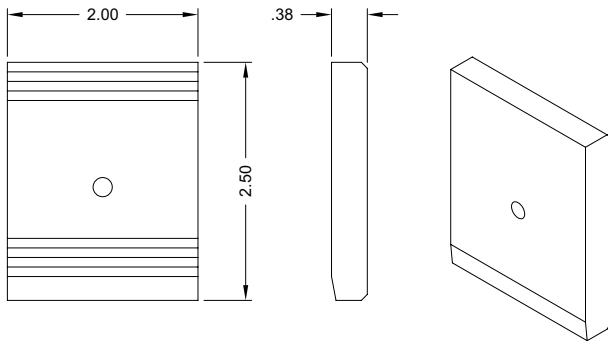


BASE NO.	LOAD LBS.	DESCRIPTION	A	B	C
BSX60220IIN1	60,000	2.2 FLAT INSERT	2.2	3.75	.38
BS120250IIN1	120,000	2.5 FLAT INSERT	2.5	4.38	.44
*	200,000	* FLAT INSERT	*	5.38	.50
BS300310IIN1	300,000	3.1 FLAT INSERT	3.1	6.12	.62
BS400310IIN1	400,000	3.1 FLAT INSERT	3.1	6.12	.62

*SEE PAGE 21 FOR HOLDER

*SAMPLE REQUIRED

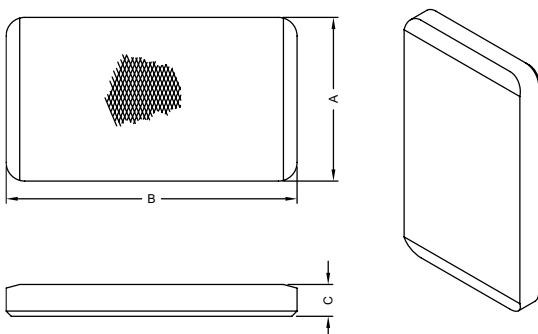
▶ BALDWIN/SATEC-STYLE: FLAT INSERT FOR 2"



BASE NO.	DESCRIPTION
BSXXX200IIN1	2" FLAT INSERT

*SEE PAGE 20 FOR HOLDER

▶ BALDWIN/SATEC-STYLE: FLAT INSERT FOR 1 3/16" - 3" FOR 20,000LB. - 300,000LB. MODELS



BASE NO.	MODEL/LBS.	A	B	C
BSX20118IIN1	20,000	1- ³ / ₁₆	2- ¹ / ₁₆	¹ / ₄
BSX60187IIN1	60,000	1- ⁷ / ₈	3- ³ / ₁₆	³ / ₈
BSX60193IIN1	60,000	1- ¹⁵ / ₁₆	3- ¹ / ₂	¹¹ / ₃₂
BS120225IIN1	120,000	2- ¹ / ₄	4	⁷ / ₁₆
BS200243IIN1	200,000	2- ⁷ / ₁₆	4- ⁷ / ₈	⁷ / ₁₆
BS300300IIN1	300,000	3	5- ³ / ₈	⁵ / ₈

*SEE PAGE 21 FOR HOLDER