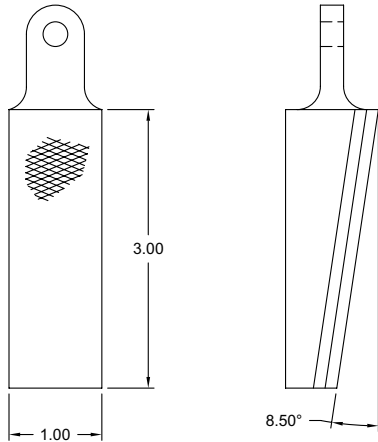
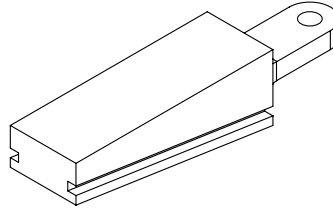


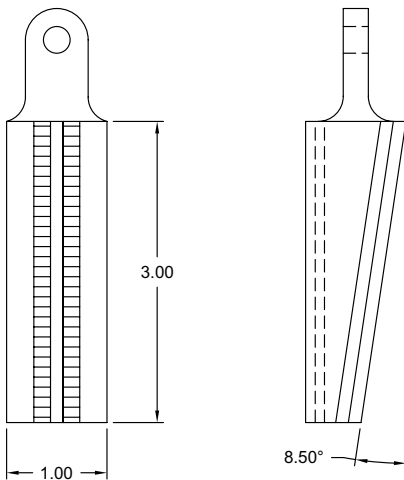
▶ TINIUS OLSEN STYLE: K-GRIPS 1" FLAT JAW FOR 5,000LB. MACHINE CAPACITY



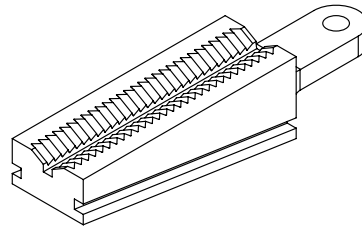
BASE NO.	DESCRIPTION
TOXX5100IFN1	1" FLAT JAW



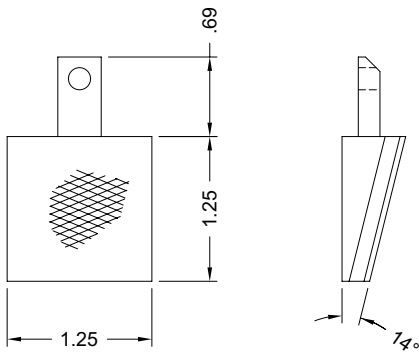
▶ TINIUS OLSEN STYLE: K-GRIPS 1" VEE JAW FOR 5,000LB. MACHINE CAPACITY



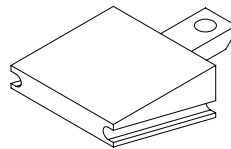
BASE NO.	DESCRIPTION	WIRE RANGE
TOXX5100IVN1	1" VEE JAW	.12 - .20
TOXX5100IVN2	1" VEE JAW	.20 - .40
TOXX5100IVN3	1" VEE JAW	.31 - .60



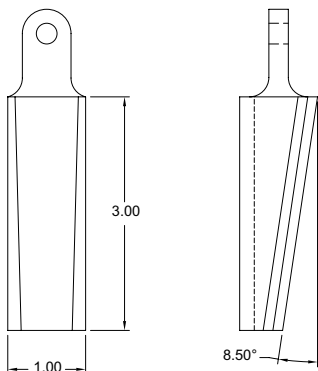
▶ TINIUS OLSEN STYLE: K-GRIPS 1.25" FLAT JAW FOR 5,000LB. MACHINE CAPACITY



BASE NO.	DESCRIPTION
TOXX5125IFN1	1-1/4" FLAT JAW



▶ TINIUS OLSEN STYLE: K-GRIPS 1" HOLDER FOR 5,000LB. MACHINE CAPACITY



PART NO.	DESCRIPTION
TOXX5100IHN1	INSERT HOLDER

*SEE PAGE 16 FOR INSERT

