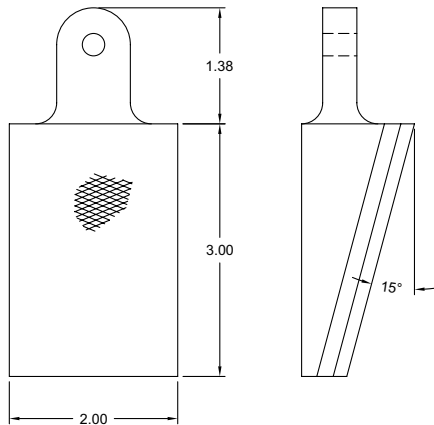
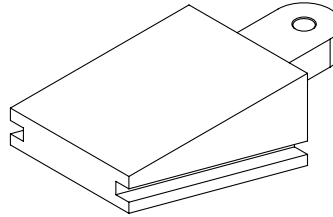


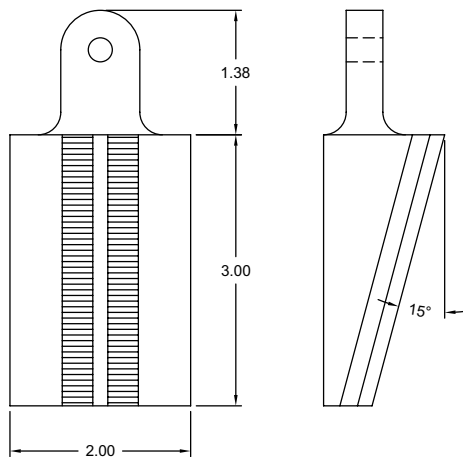
▶ TINIUS OLSEN STYLE: K-GRIPS 2" FLAT JAW FOR 20,000/30,000LB. MACHINE CAPACITY



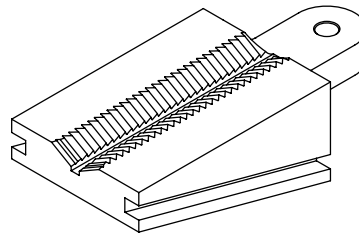
BASE NO.	DESCRIPTION
TOX20200IFN1	2" FLAT JAW
TOX30200IFN1	2" FLAT JAW



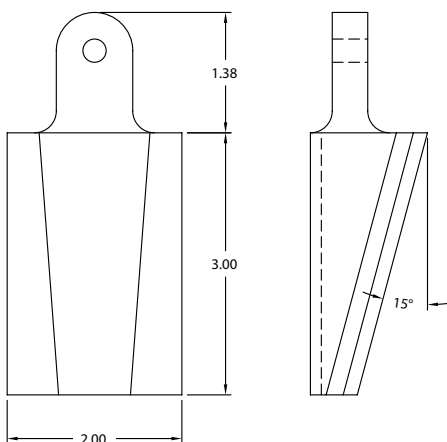
▶ TINIUS OLSEN STYLE: K-GRIPS 2" VEE JAW FOR 20,000/30,000LB. MACHINE CAPACITY



BASE NO.	DESCRIPTION	WIRE RANGE
TOX20200IVN1	2" VEE JAW	.38 - .63"
TOX30200IVN1	2" VEE JAW	.38 - .63"
TOX20200IVN2	2" VEE JAW	.50 - .75"
TOX30200IVN2	2" VEE JAW	.50 - .75"



▶ TINIUS OLSEN STYLE: INSERT WEDGE GRIP HOLDER FOR 12,000/20,000/30,000LB. MACHINE CAPACITY



PART NO.	DESCRIPTION
TOX12200IHN1	INSERT HOLDER
TOX20200IHN1	INSERT HOLDER
TOX30200IHN1	INSERT HOLDER

*SEE PAGE 16 FOR INSERT

