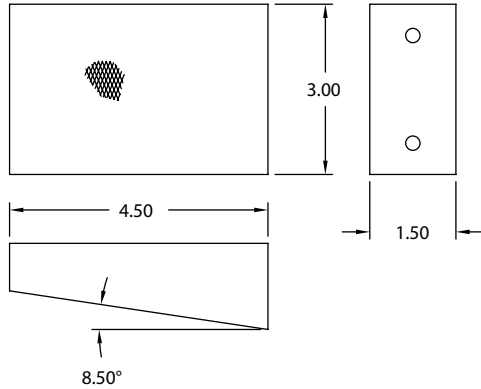
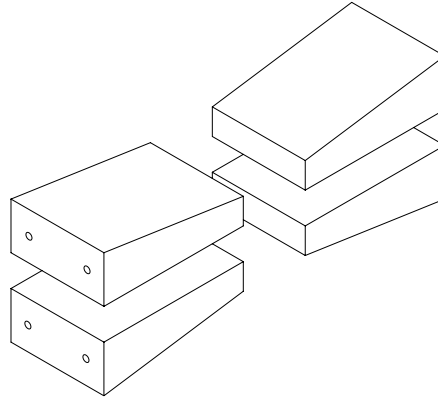


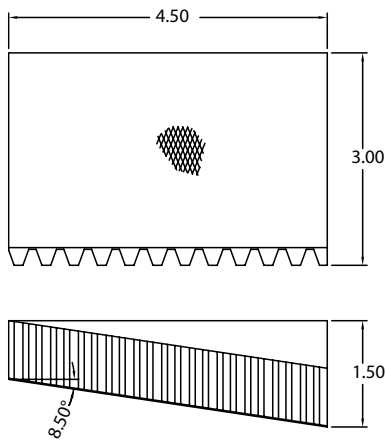
▶ TINIUS OLSEN STYLE: 3" FLAT JAW FOR 120,000LB. MACHINE CAPACITY



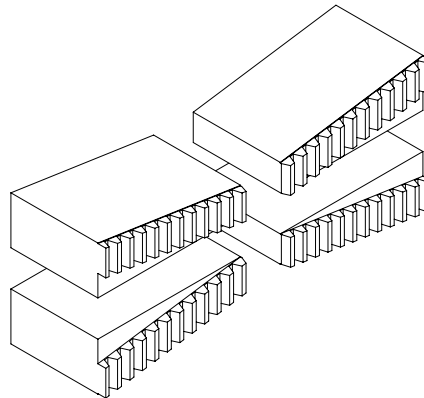
BASE NO.	DESCRIPTION
TO120300IFN1	3" FLAT JAW



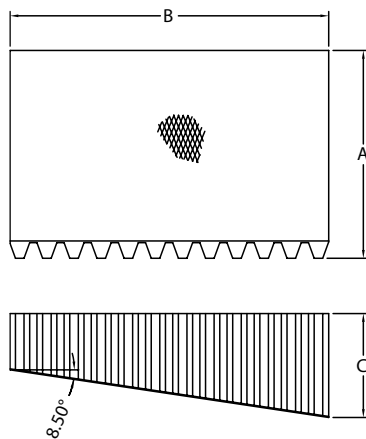
▶ TINIUS OLSEN STYLE: 3" FLAT JAW WITH PARTIAL RACK FOR 120,000LB. MACHINE CAPACITY



BASE NO.	DESCRIPTION
TO120300IFP1	3" FLAT JAW



▶ TINIUS OLSEN STYLE: 3"-4.5" FLAT JAW WITH FULL RACK FOR 120,000/200,000/300,000/400,000 MACHINE CAPACITY



BASE NO.	DESCRIPTION	A	B	C
TO120300IFF1	3" FLAT JAW	3.00	4.60	1.50
TO200350IFF1	3.5" FLAT JAW	3.50	6.00	2.00
TO300400IFF1	4.0" FLAT JAW	4.00	6.75	2.25
TO400450IFF1	4.5" FLAT JAW	4.50	8.00	2.75

