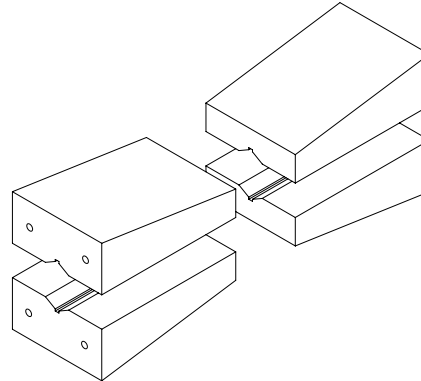
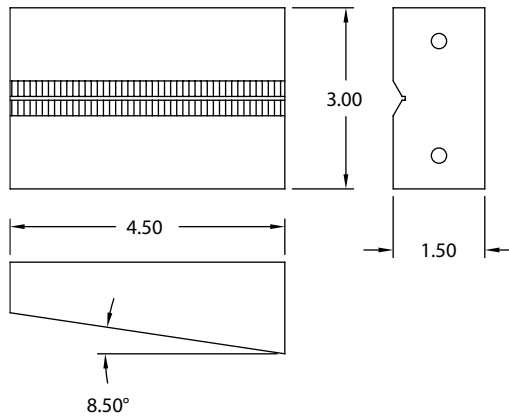
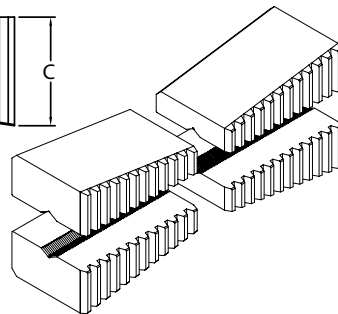
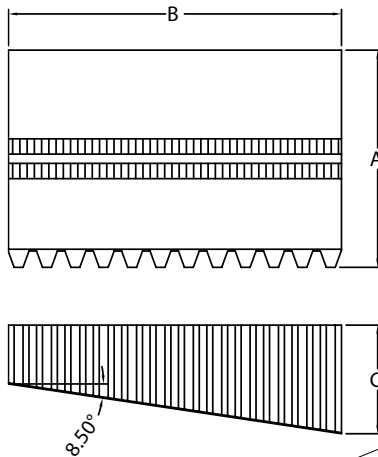


## ▶ TINIUS OLSEN STYLE: 3" VEE JAW FOR 120,000LB. MACHINE CAPACITY



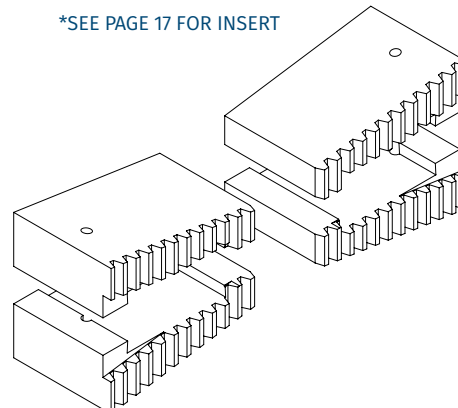
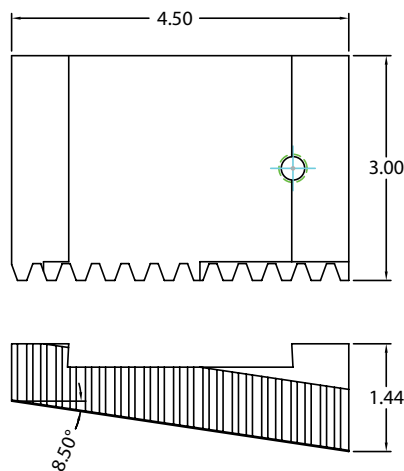
BASE NO.	DESCRIPTION	WIRE RANGE
TO120300IVN1	3" VEE JAW	.38 - .75"
TO120300IVN2	3" VEE JAW	.75 - 1.1"

## ▶ TINIUS OLSEN STYLE: 3"-4.5" VEE JAW WITH FULL RACK FOR 120,000/200,000/300,000/400,000LB. MACHINE CAPACITY



PART NO.	DESCRIPTION	A	B	C	WIRE RANGE
TO120300IVF1	3.0" VEE JAW	3.00	4.60	1.50	.25 - .50"
TO120300IVF2	3.0" VEE JAW	3.00	4.60	1.50	.50 - 1.0"
TO200350IVF1	3.5" VEE JAW	3.50	6.00	2.00	.50 - 1.0"
TO200350IVF2	3.5" VEE JAW	3.50	6.00	2.00	1.0 - 1.5"
TO200350IVF3	3.5" VEE JAW	3.50	6.00	2.00	1.5 - 2.0"
TO300400IVF1	4.0" VEE JAWS	4.00	6.75	2.25	.50 - 1.0"
TO300400IVF2	4.0" VEE JAWS	4.00	6.75	2.25	1.0 - 1.5"
TO300400IVF3	4.0" VEE JAWS	4.00	6.75	2.25	1.5 - 2.0"
TO400450IVF1	4.5" VEE JAWS	4.50	8.00	2.75	.50 - 1.0"
TO400450IVF2	4.5" VEE JAWS	4.50	8.00	2.75	1.0 - 1.5"
TO400450IVF3	4.5" VEE JAWS	4.50	8.00	2.75	1.9 - 2.6"

## ▶ TINIUS OLSEN STYLE: INSERT HOLDER FOR PARTIAL RACK AND 120,000LB. MACHINE CAPACITY



PART NO.	DESCRIPTION
TO120300IHP1	INSERT HOLDER

\*SEE PAGE 17 FOR INSERT