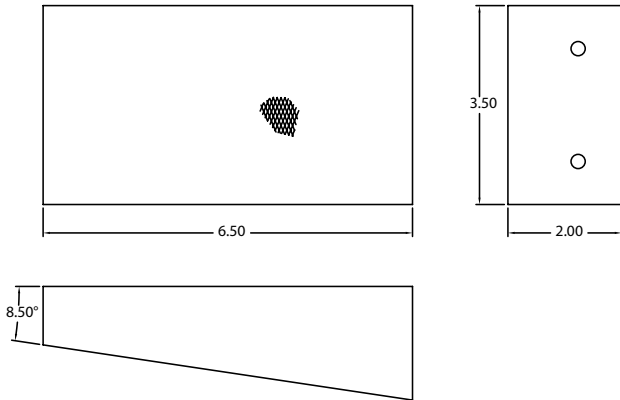
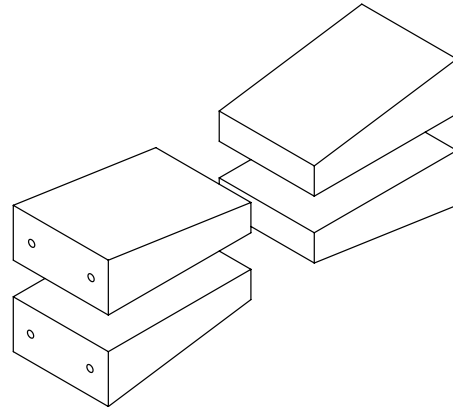


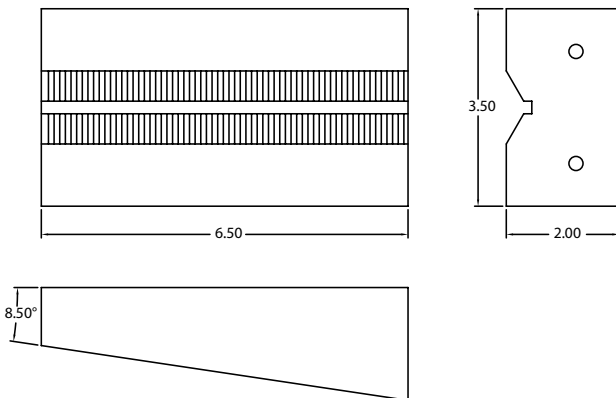
▶ TINIUS OLSEN STYLE: 3.5" FLAT JAW FOR 200,000LB. MACHINE CAPACITY



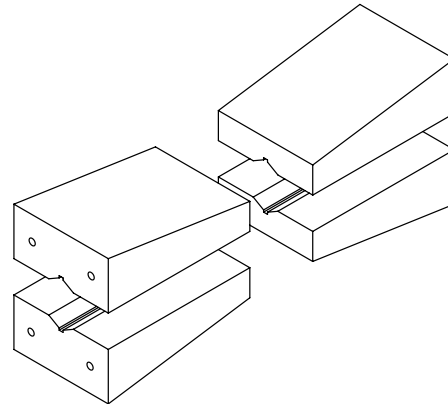
BASE NO.	DESCRIPTION
TO200350IFN1	3.5" FLAT JAW



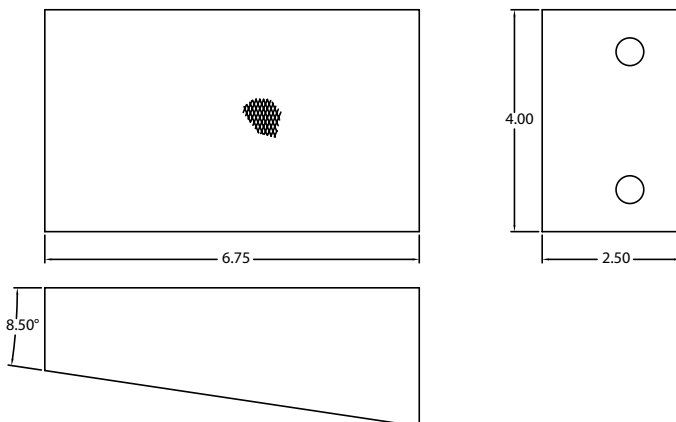
▶ TINIUS OLSEN STYLE: 3.5" VEE JAW FOR 200,000LB. MACHINE CAPACITY



BASE NO.	DESCRIPTION	WIRE RANGE
TO200350IVN1	3.5" VEE JAW	.50 - 1.0"
TO200350IVN2	3.5" VEE JAW	1.0 - 1.5"
TO200350IVN3	3.5" VEE JAW	1.5 - 2.0"



▶ TINIUS OLSEN STYLE: 4" FLAT JAW FOR 300,000LB. MACHINE CAPACITY



BASE NO.	DESCRIPTION
TO300400IFN1	4" FLAT JAW

