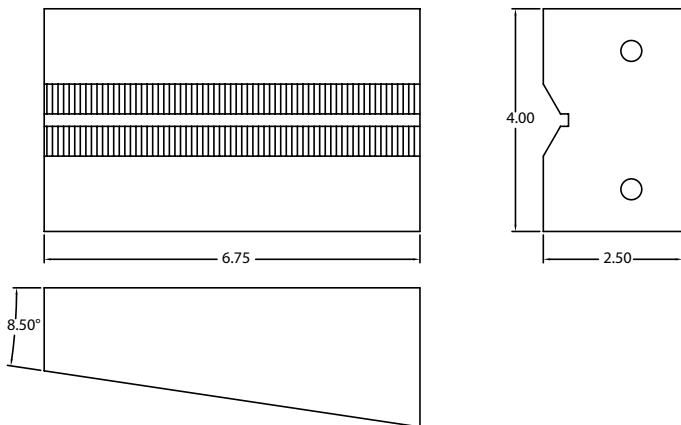
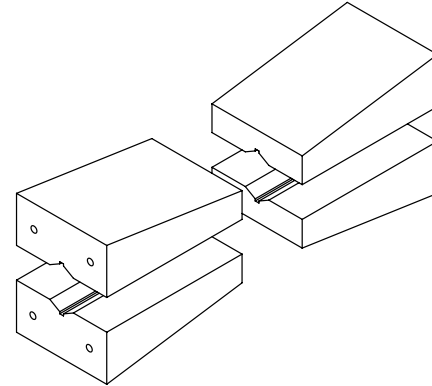


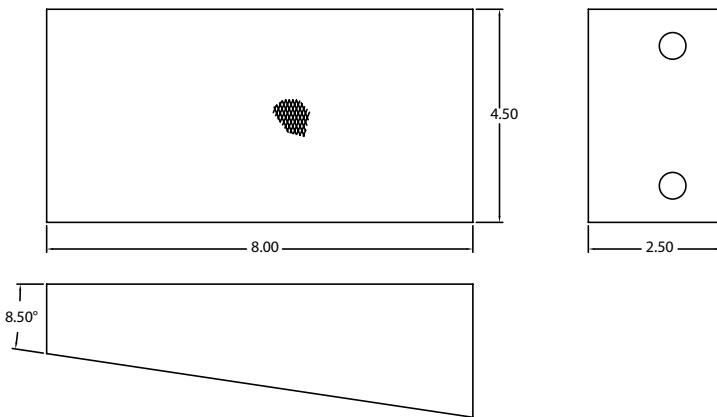
▶ TINIUS OLSEN STYLE: 4" VEE JAW FOR 300,000LB. MACHINE CAPACITY



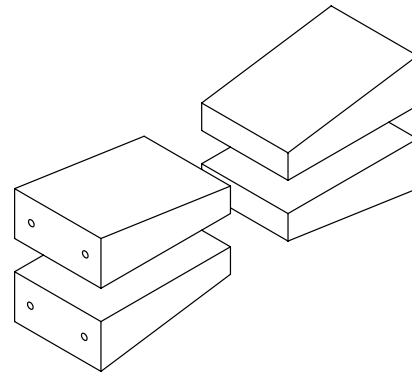
BASE NO.	DESCRIPTION	WIRE RANGE
TO300400IVN1	4" VEE JAW	.50 - 1.0"
TO300400IVN2	4" VEE JAW	1.0 - 1.5"
TO300400IVN3	4" VEE JAW	1.5 - 2.0"



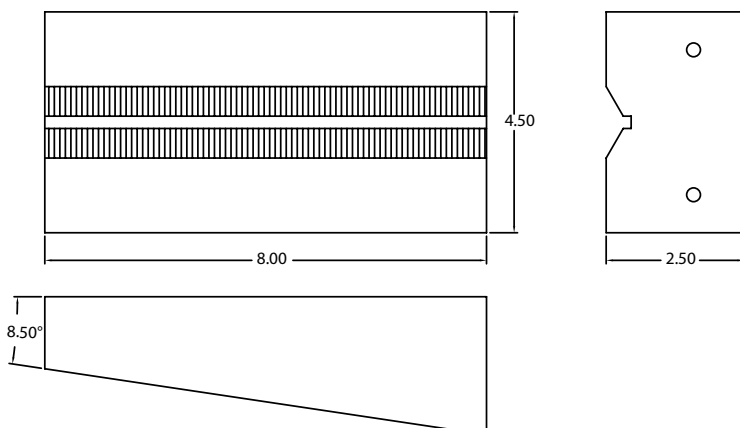
▶ TINIUS OLSEN STYLE: 4.5" FLAT JAW FOR 400,000LB. MACHINE CAPACITY



BASE NO.	DESCRIPTION
TO400450IFN	4.5" FLAT JAW



▶ TINIUS OLSEN STYLE: 4.5" VEE JAW FOR 400,000LB. MACHINE CAPACITY



PART NO.	DESCRIPTION	WIRE RANGE
TO400450IVN1	4.5" VEE JAW	.50 - 1.0"
TO400450IVN2	4.5" VEE JAW	1.0 - 1.5"
TO400450IVN3	4.5" VEE JAW	1.9 - 2.6"

